



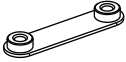





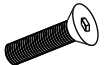
**MOUNTING INSTRUCTIONS FOR
M-FORM VESA LCD
TABLE TOP STAND**

MODEL No. MF2332DS
23" to 32" (58cm to 81cm)
Maximum load 35kgs








20.01.11 - 01

- Read these instructions carefully before installing your equipment.
- Install the stand in a suitable location and only on a horizontal flat surface.
- Do not attempt to alter or modify any part of the desk mount or it's Attachments.
- Do not use if any parts are broken or appear to be damaged.
- Tighten all bolts and fixings securely. Only use fixings provided with this Stand.
- do not mount your tv near to sources of heat or moisture.
- always have a minimum of two persons to install the tv.

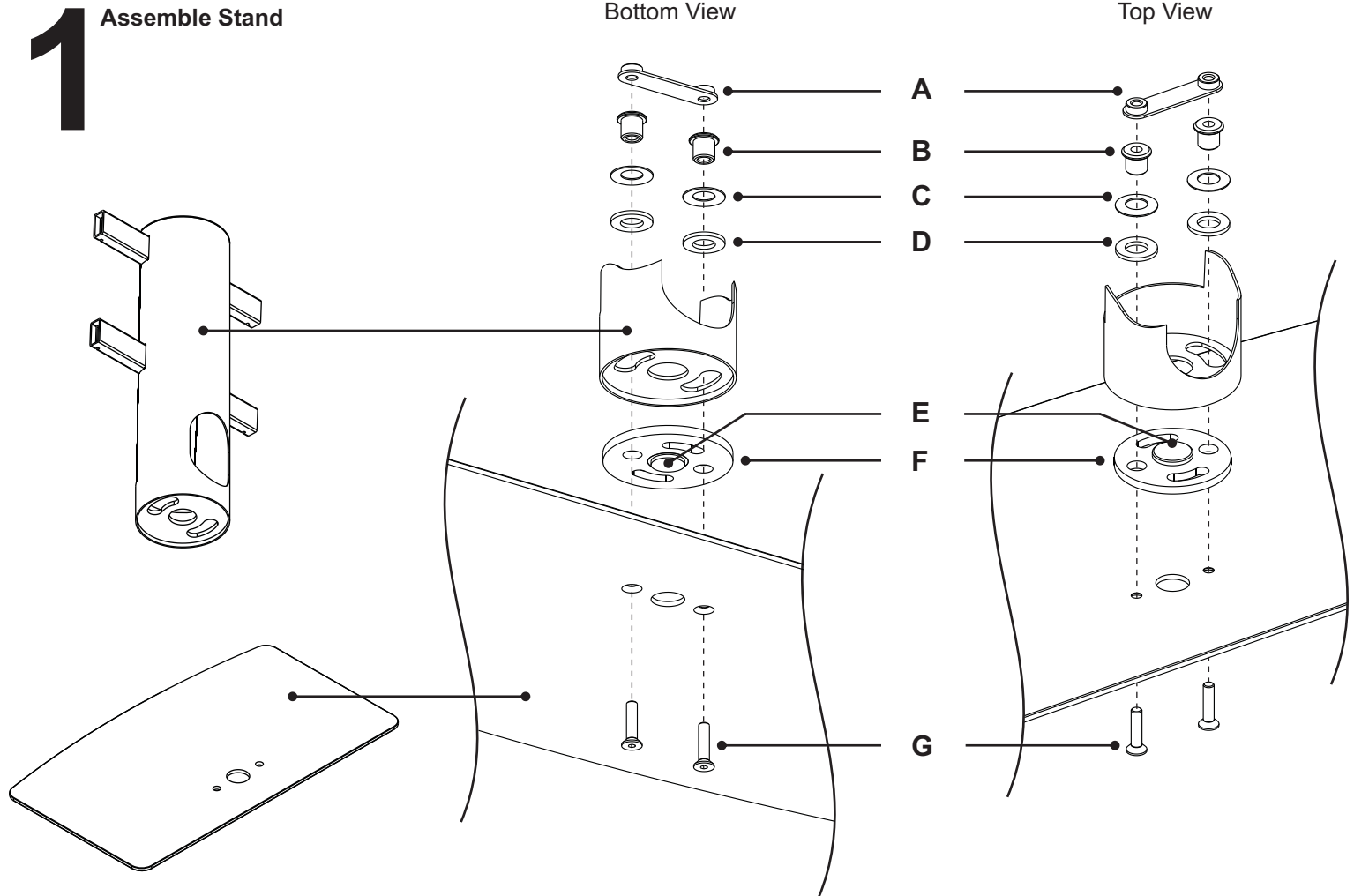
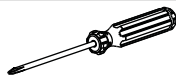
Stand Assembly Kit

	A - Metal Pivot Bridge	x1
	B - Metal Pivot Bush	x2
	C - Metal Pivot Washer	x2
	D - Nylon Pivot Spacer	x2
	E - Nylon Pivot Pad	x1
	F - Metal Pivot Axle	x1
	G - M8 x 35mm Bolt	x2

TV Fixing Kit

	H - M4 x 16mm	x4
	I - M5 x 16mm	
	J - M6 x 16mm	
	K - M4 Washer	x6
	L - M5 Nut	x6
	M - M5 x 10	x6
	N - M5 x 16mm	x2

Also required



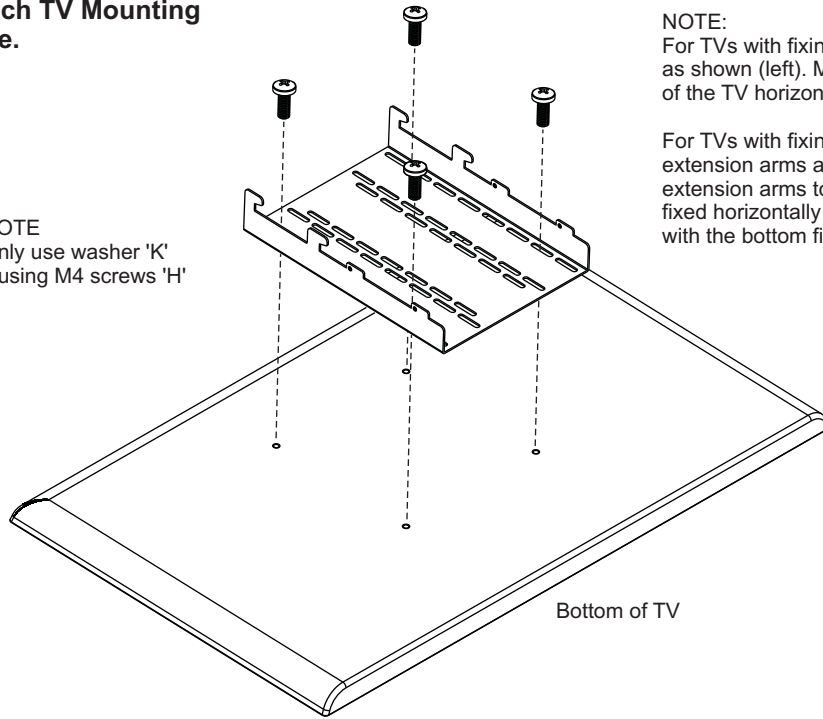
Having any problems making it fit?
FIT-RITE HELPLINE 0115 9409169

2

Attach TV Mounting Plate.



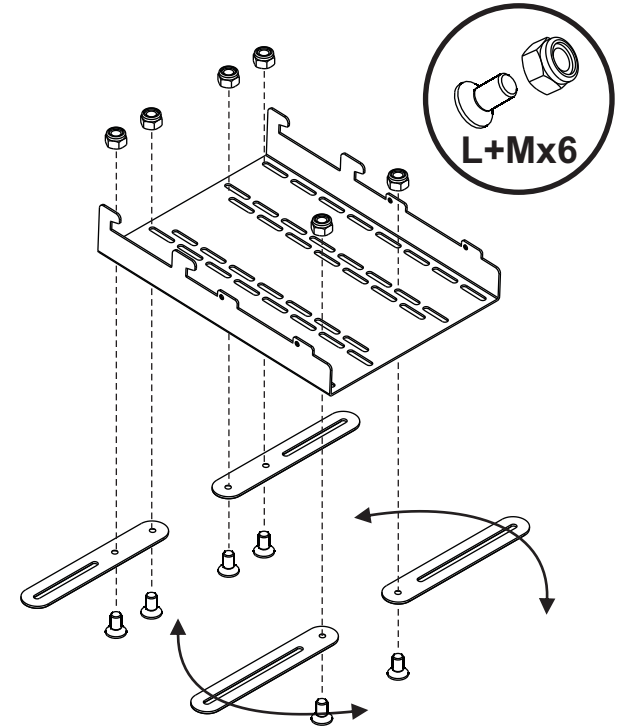
NOTE
Only use washer 'K'
if using M4 screws 'H'



NOTE:

For TVs with fixings between 75mm and 200mm use plate as shown (left). Make sure plate is positioned in the centre of the TV horizontally.

For TVs with fixing points greater than 200mm fit the extension arms as shown (right) and then attach the extension arms to the TV. The top extension arms must be fixed horizontally and the bottom ones can swing to align with the bottom fixings on the TV.

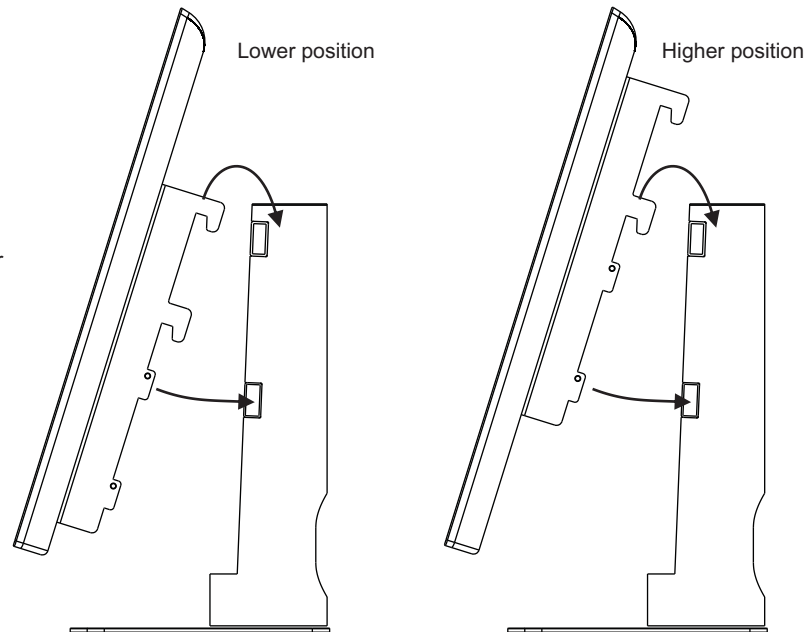


3

Hang Screen On Column

NOTE:

There are two hanging heights to allow for higher or lower fixings on the TV. Either of these hanging points can be used depending on which best suits your TV's fixing layout.



4

Hang Screen On Column

